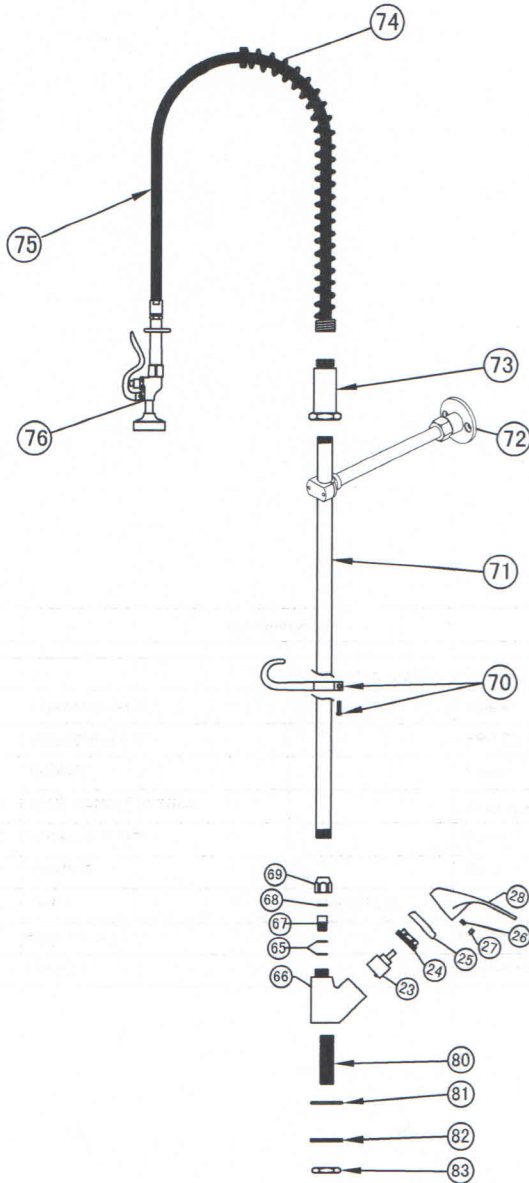


Model No.

5301



Part Number Guide

		FITTINGS CODE	FITTINGS MATERIAL
23	CERAMIC VALVE		Plastic
24	PRESSURE CAP		BRASS H59-1
25	BONNET		Plastic
26	LEVE HANDLE SCREW		STAINLESS STEEL
27	HOT&COLD SIGN		Plastic
28	HANDLE		ZINC
65	O-Ring	MS98SP-065	EPDM
66	Body, Faucet		BRASS H59-1
67	Swivel Pipe		BRASS H59-1
68	Platic Ring		Plastic
69	Chamfer Cap		BRASS H59-1
70	Assembly, Finger Hook & Screw	MS980071-070	BRASS & STAINLESS
71	Nipple, 3/8"X24	MS98PP-071	STAINLESS STEEL
72	Wall Bracket	MS98WB-072	BRASS H59-1
73	Spring Body	MS98H-073	BRASS H59-1
74	Spring, Overhead	MS98SP-074	STAINLESS STEEL
75	Assembly, Flex S/S Hose	MS98H-075	STAINLESS STEEL
76	Assembly, Spray Valve	MS98SW-076	BRASS H59-1
80	Take Over	MS980091-080	BRASS H59-1
81	O-Ring	MS980091-081	SANTOPRENE
82	Level	MS980091-082	STAINLESS STEEL
83	Locknut, Shank	MS980091-083	BRASS H59-1

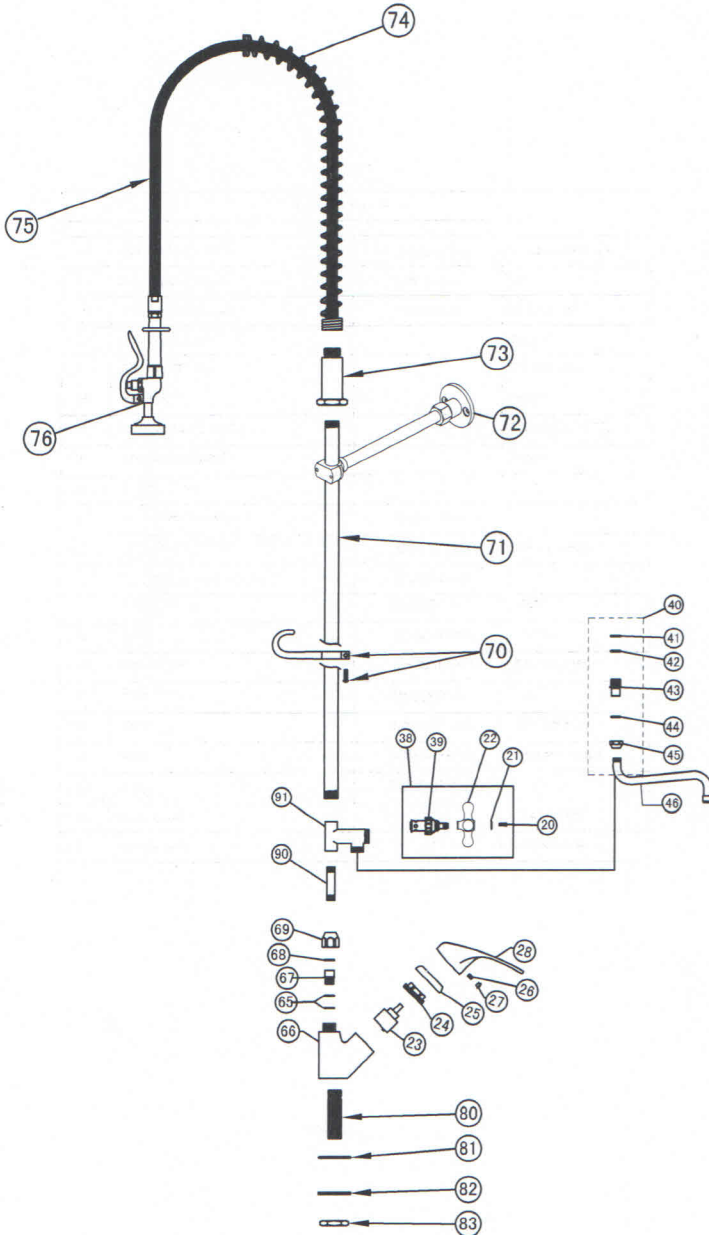
Product Specifications:

Earyinstall Pre-rinse unit:

Wall-mounted type, 20" riser, 6" (152mm) wall bracket included, With foot pedal valve control pantry faucet, 44" Flex Hose, Spray valve, 6" or 12" WALL bracket, The spray valve conforms to ANSI/ASTM F2324-03

Model No.

5302



Part Number Guide

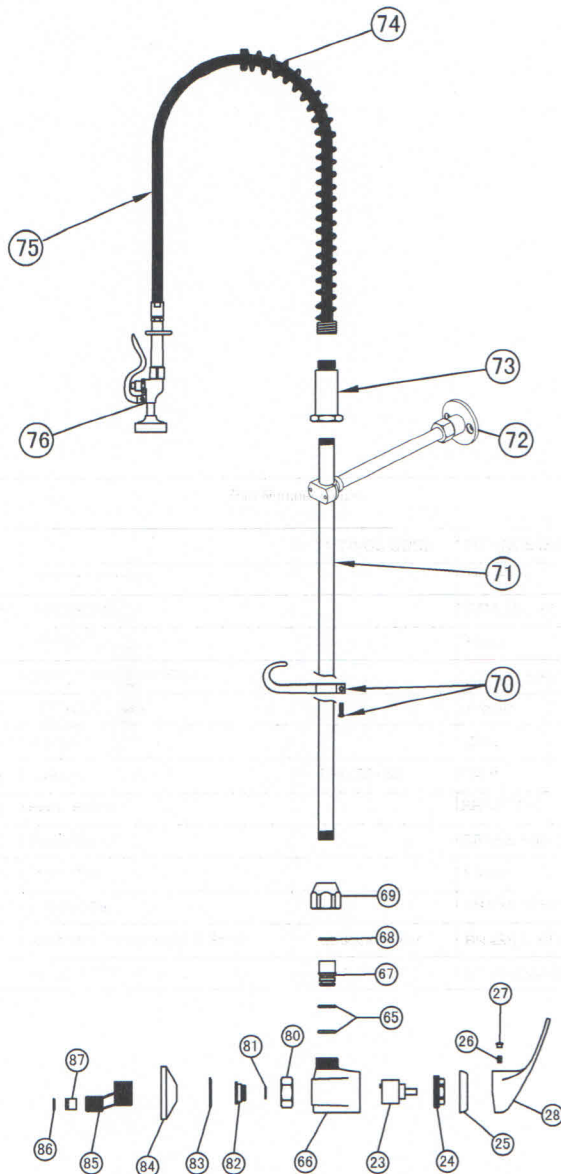
Part No.	Description	Part No.	Material
20	Screw, Lever Handle	MS98V-020	STAINLESS STEEL
21	Index Button, Red-Hot	MS98V-021	ABS
22	Cross the handwheel	MS98V-022	BRASS H59-1
23	CERAMIC VALVE		Plastic
24	PRESSURE CAP		BRASS H59-1
25	BONNET		Plastic
26	LEVE HANDLE SCREW		STAINLESS STEEL
27	HOT&COLD SIGN		Plastic
28	HANDLE		ZINC
38	Asm, Lever Handle(LH)	MS9813-038	
39	Asm, Spdl LH-Eterna W/Spring Checks	MS9813-039	BRASS H59-1
40	Asm, Gooseneck. w/Swing	MS98SP-040	
41	O-Ring	MS98SP-041	EPDM
42	O-Ring	MS98SP-042	EPDM
43	Swivel Pipe	MS98SP-043	BRASS H59-1
44	Platic Ring	MS98SP-044	ABS
45	Screw	MS98SP-045	BRASS H59-1
46	Spout	MS98SP-046	BRASS H59-1
65	O-Ring	MS98SP-065	EPDM
66	Body, Faucet		BRASS H59-1
67	Swivel Pipe		BRASS H59-1
68	Platic Ring		Plastic
69	Chamfer Cap		BRASS H59-1
70	Assembly, Finger Hook & Screw	MS980071-070	BRASS & STAINLESS
71	Nipple, 3/8"X24	MS98PP-071	STAINLESS STEEL
72	Wall Bracket	MS98WB-072	BRASS H59-1
73	Spring Body	MS98H-073	BRASS H59-1
74	Spring, Overhead	MS98SP-074	STAINLESS STEEL
75	Assembly, Flex S/S Hose	MS98H-075	STAINLESS STEEL
76	Assembly, Spray Valve	MS98SW-076	BRASS H59-1
80	Take Over	MS980091-080	BRASS H59-1
81	O-Ring	MS980091-081	SANTOPRENE
82	Level	MS980091-082	STAINLESS STEEL
83	Locknut, Shank	MS980091-083	BRASS H59-1
90	Pipe	MS980022-090	BRASS H59-1
91	Body, Add Faucet	MS980022-091	BRASS H59-1

Earyinstall Pre-rinse unit:

Wall-mounted type, Add on faucet with swing nozzle 12"(305mm)length, 20" riser, With hoot pedal vavle control pantry faucet, 6"(152mm)wall bracket included, With foot pedal vavle control pantry faucet, 44" Flex Hose, Spray vavle, 6" or 12" WALL bracket, The spray valve conforms to ANSI/ASTM F2324-03

Model No.

5303



Part Number Guide

		FITTINGS CODE	FITTINGS MATERIAL
23	CERAMIC VALVE		Plastic
24	PRESSURE CAP		BRASS H59-1
25	BONNET		Plastic
26	LEVE HANDLE SCREW		STAINLESS STEEL
27	HOT&COLD SIGN		Plastic
28	HANDLE		ZINC
65	O-Ring	MS98SP-065	EPDM
66	Body, Faucet		BRASS H59-1
67	Swivel Pipe		BRASS H59-1
68	Platic Ring		Plastic
69	Chamfer Cap		BRASS H59-1
70	Assembly, Finger Hook & Screw	MS980071-070	BRASS & STAINLESS
71	Nipple, 3/8"X24	MS98PP-071	STAINLESS STEEL
72	Wall Bracket	MS98WB-072	BRASS H59-1
73	Spring Body	MS98H-073	BRASS H59-1
74	Spring, Overhead	MS98SP-074	STAINLESS STEEL
75	Assembly, Flex S/S Hose	MS98H-075	STAINLESS STEEL
76	Assembly, Spray Valve	MS98SW-076	BRASS H59-1
80	LOCK NUT		BRASS H59-1
81	O-RING		EPDM
82	PROSITIONING NUT		BRASS H59-1
83	RUBBOR WASHER		EPDM
84	BONNRT		BRASS H59-1
85	INLET EXTENSIONS		BRASS H59-1
86	O-RING		EPDM
87	CHECK VALVE		Plastic

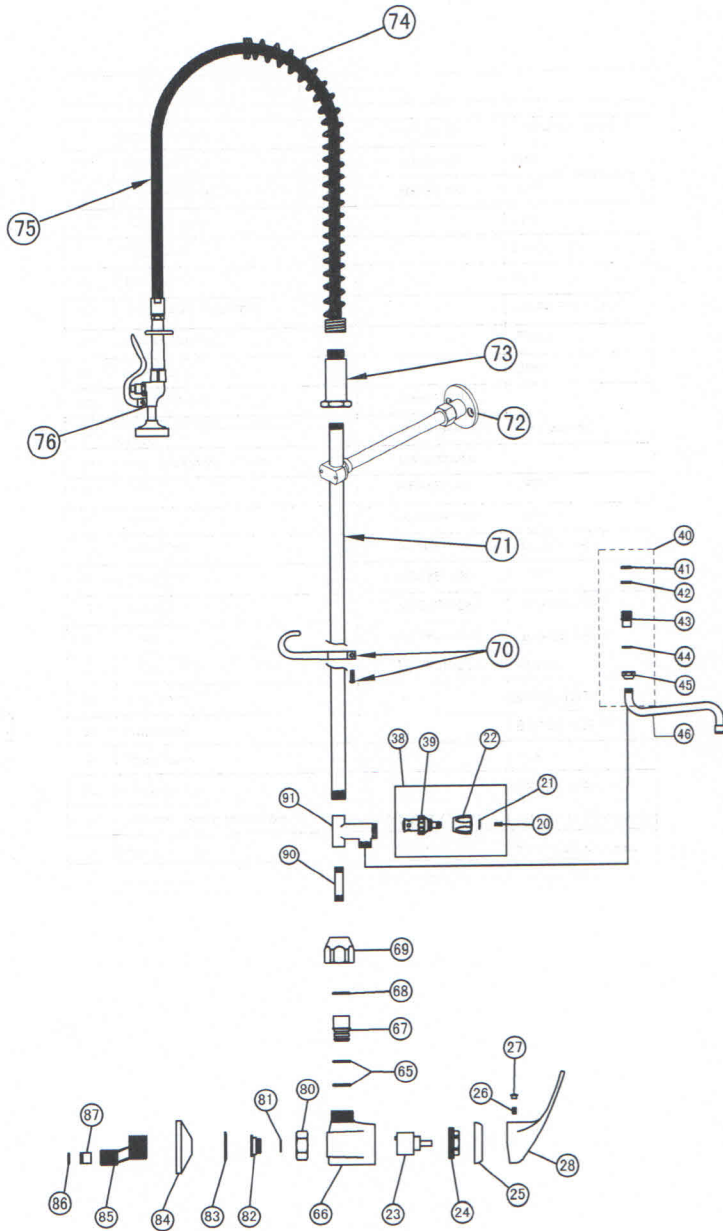
Product Specifications:

Earyinstall Pre-rinse unit:

Wall-mounted type, 20" riser, 6" (152mm) wall bracket included, With foot pedal vavle control pantry faucet, 44" Flex Hose, Spray vavle, 6" or 12" WALL bracket, The spray valve conforms to ANSI/ASTM F2324-03

Model No.

5304



Part Number Guide

Part No.	Description	Part No.	Material
20	Screw, Lever Handle	MS98V-020	STAINLESS STEEL
21	Index Button, Red-Hot	MS98V-021	ABS
22	Lever Handle,Zinc-Hot	MS98V-022	ZINC
23	CERAMIC VALVE		Plastic
24	PRESSURE CAP		BRASS H59-1
25	BONNET		Plastic
26	LEVE HANDLE SCREW		STAINLESS STEEL
27	HOT&COLD SIGN		Plastic
28	HANDLE		ZINC
38	Asm, Lever Handle(LH)	MS9813-038	
39	Asm, Spdl LH-Eterna W/Spring Checks	MS9813-039	BRASS H59-1
40	Asm, Gooseneck, w/Swing	MS98SP-040	
41	O-Ring	MS98SP-041	EPDM
42	O-Ring	MS98SP-042	EPDM
43	Swivel Pipe	MS98SP-043	BRASS H59-1
44	Platic Ring	MS98SP-044	ABS
45	Screw	MS98SP-045	BRASS H59-1
46	Spout	MS98SP-046	BRASS H59-1
65	O-Ring	MS98SP-065	EPDM
66	Body, Faucet		BRASS H59-1
67	Swivel Pipe		BRASS H59-1
68	Platic Ring		Plastic
69	Chamfer Cap		BRASS H59-1
70	Assembly, Finger Hook & Screw	MS980071-070	BRASS & STAINLESS
71	Nipple, 3/8"X24	MS98PP-071	STAINLESS STEEL
72	Wall Bracket	MS98WB-072	BRASS H59-1
73	Spring Body	MS98H-073	BRASS H59-1
74	Spring, Overhead	MS98SP-074	STAINLESS STEEL
75	Assembly, Flex S/S Hose	MS98H-075	STAINLESS STEEL
76	Assembly, Spray Valve	MS98SW-076	BRASS H59-1
80	LOCK NUT		BRASS H59-1
81	O-RING		EPDM
82	PROSITIONING NUT		BRASS H59-1
83	RUBBOR WASHER		EPDM
84	BONNRT		BRASS H59-1
85	INLET EXTENSIONS		BRASS H59-1
86	O-RING		EPDM
87	CHECK VALVE		Plastic
90	Pipe	MS980022-090	BRASS H59-1
91	Body, Add Faucet	MS980022-091	BRASS H59-1

Earyinstall Pre-rinse unit:

Wall-mounted type, Add on faucet with swing nozzle 12"(305mm)length, 20" riser, With hoot pedal vavle control pantry faucet, 6"(152mm)wall bracket included, With foot pedal vavle control pantry faucet, 44" Flex Hose, Spray vavle, 6"or 12"WALL bracket, The spray valve conforms to ANSI/ASTM F2324-03